

# DC Fast Charge Electric Vehicle Connector and Inlet

Designed and developed in accordance with SAE J1772™ and IEC 62196-3 draft standards, ensures full compatibility with EVSE charging stations.

## Features & Benefits

### Electrical Features:

- 150A 600V DC
- Maximum charge performance: 90 kW
- Design according to SAE J1772™ and IEC 62196-3 draft standards
- Inlet receptacle designed for AC charging using SAE J1772™ compliant Level 1 & 2 connector or DC charge connector
- RoHS Compliant
- UL 2251 Recognized Components —USA & Canada (PENDING)

### Environmental Features:

- Ambient temperature -30°C to +50°C
- IP67 sealing (plug/inlet mated or optional inlet covers closed); UL Type 3R
- Inlet flap protection
- Salt spray protection
- Efficient fluids and dust draining feature

### REMA Exclusive Terminal System:

- Female terminals on charge vehicle connector
- Male terminals on vehicle
- Power terminal: 8.0mm
- Ground terminal: 2.8mm
- Signal terminals: 1.5mm
- Material: Nickel plated copper
- Terminals optimized for high mating cycle performance

### Plug Cable:

- Type EV; 600V
- 3 Power Conductors plus 4 Control Conductors
- Ambient temperature: -40°C to +90°C
- Conductors: ASTM B 33, ASTM B 172, ASTM B 174  
Insulation & Jacket—UL62



## Technical Characteristics

Voltage	600V DC
Max. current carrying capacity	150A
Sealing protection*	IP67; UL Type 3R
Temperature range	-30°C to +50°C
Plug mating force	< 75 N
Number of mating cycles	>10,000

\*plug/inlet mated or optional inlet covers closed

### Optional Inlet Receptacle Options:

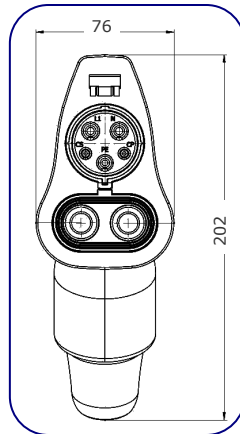
- Integral latch lock mechanism
- Integrated thermal sensor
- AC and DC terminal flaps (left and right hinge)



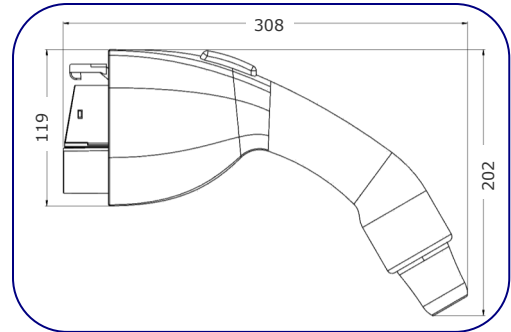
Registered to ISO 9001:2008  
Cert. #: 110011287 QM80



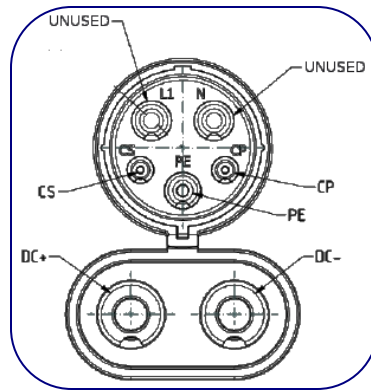
# Dimensional Data



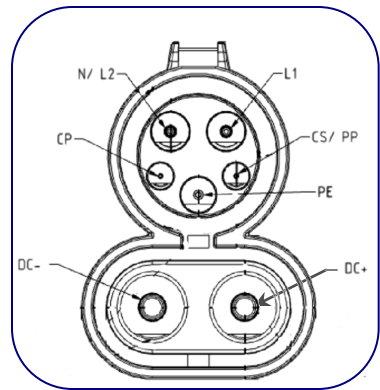
Connector Front View



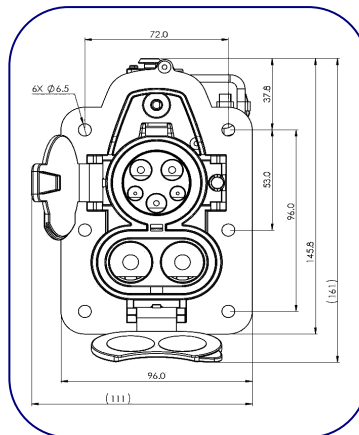
Connector Side View



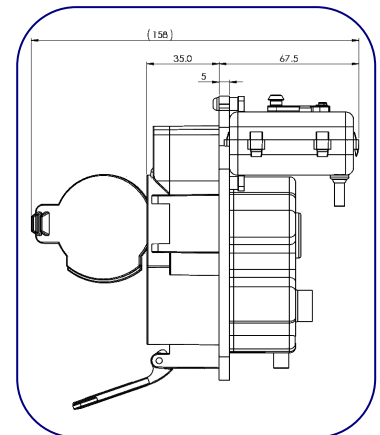
Connector Front View



Inlet Front View



Inlet Front View



Inlet Side View

Serving a Global Market:

REMA USA LLC  
101 Park Place Court  
Greenville, SC 29607

864-655-8981  
info@rema-usa.com

REMA Lipprandt GmbH & Co. KG  
Spichenstrasse 11  
53175 Bonn-Bad Godesberg

+49 228 382040  
info@rema-bonn.de

REMA Technology Shanghai Co. Ltd.  
No. 1590 Songfu Road  
Qingpu Industry Zone  
201706 Shanghai P.R. China

+86 (0) 21-5986 9405  
info@rema-shanghai.com